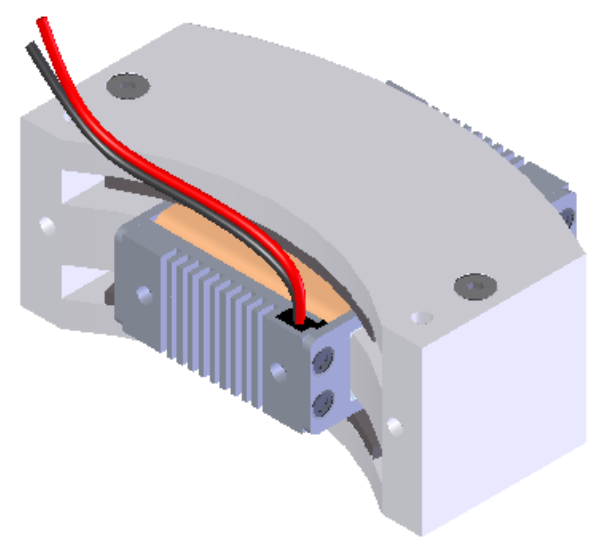
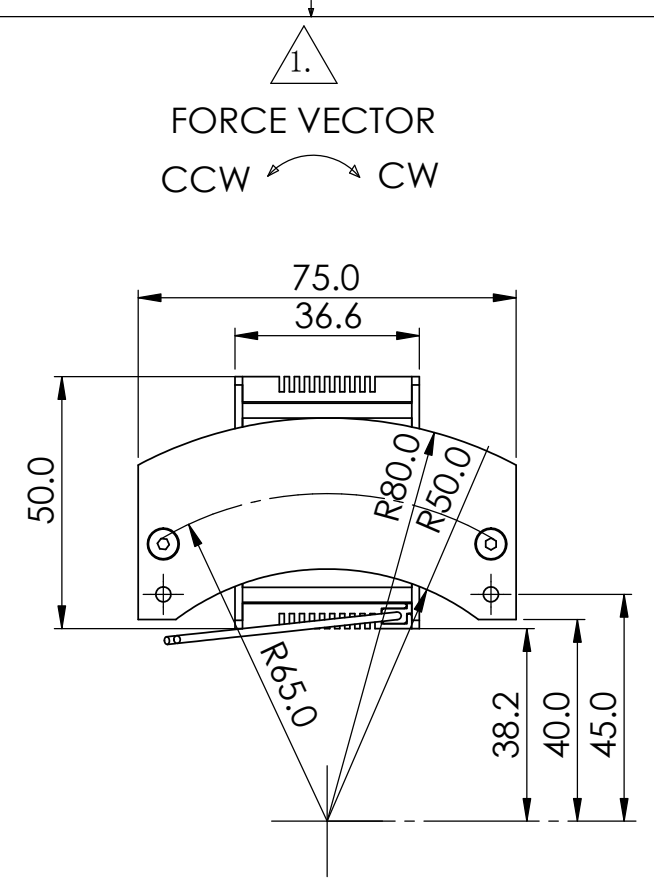


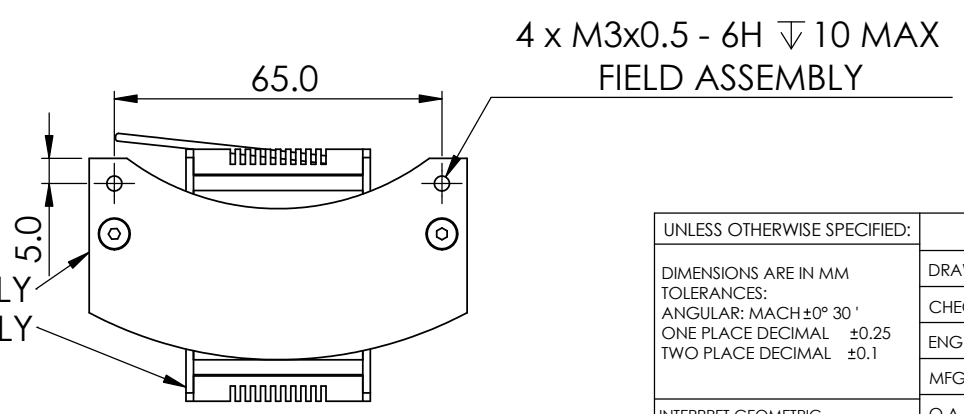
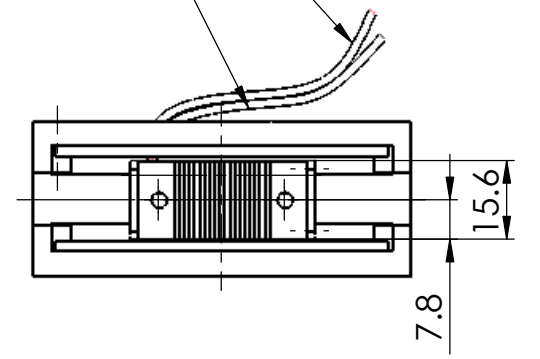
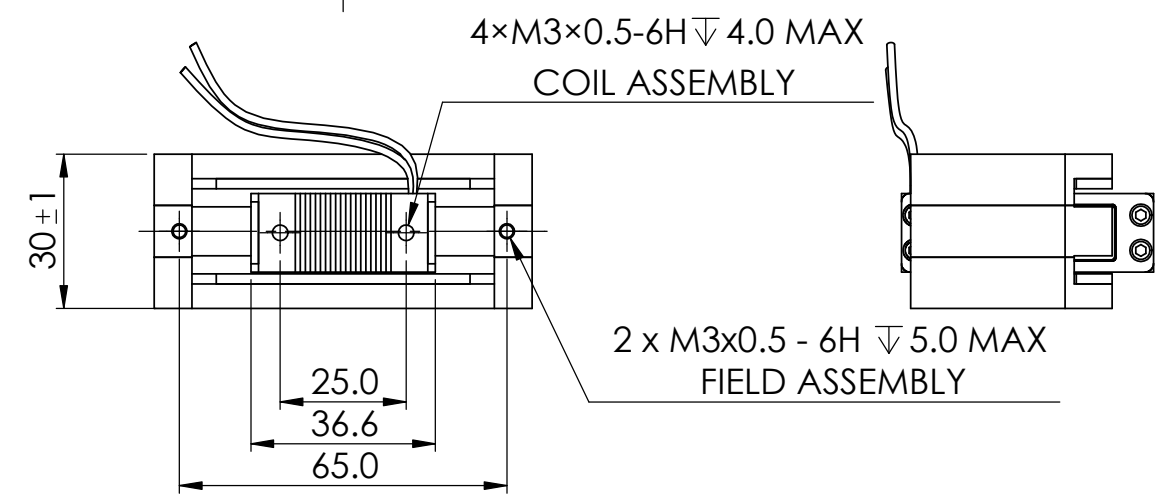
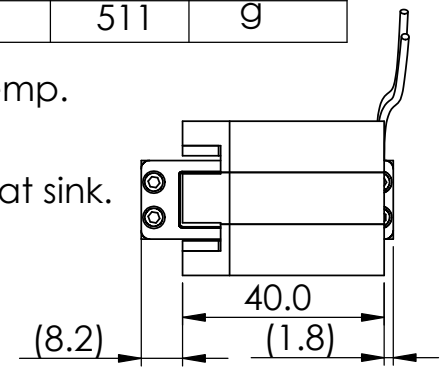
WINDING CONSTANT	TOL	SYM	VALUE	UNITS
DC RESISTANCE	± 10%	R	2.1	OHMS
VOLTAGE @ Fp	NOMINAL	Vp	6.7	VOLTS
CURRENT @ Fp	NOMINAL	Ip	3.2	AMPS
TORQUE SENSITIVITY	± 7.5%	Kt	0.24	N-M / A
BACK EMF CONSTANT	NOMINAL	Kb	0.24	V/Rad/Sec
INDUCTANCE *****	± 30%	L	0.84	mH
ACTUATOR PARAMETER		SYM	VALUE	UNITS
PEAK TORQUE *		Tp	0.77	N-M
CONTINUOUS STALL TORQUE **		Tcs	0.63	N-M
CONTINUOUS TORQUE WITH HEAT SINK		Tcs	0.77	N-M
ACTUATOR CONSTANT		Ka	0.166	N-M/√w
ELECT TIME CONSTANT		Te	0.4	milli-sec
POWER I2R@Fp		Pp	21.6	W
TOTAL STROKE(ANGULAR)		s	20	degree
COIL CLEARANCE		MM	0.5	mm
THERMAL RESISTANCE ***		θth	8.7	C / W
THERMAL RESISTANCE WITE HEAT SINK****		θth	4.6	C / W
MAXIMUM COIL TEMPERATURE		Tmax	150	C
COIL WEIGHT		WTc	66	g
INERTIA OF COIL ASSEMBLY		Ic	4030	g-cm2
FIELD WEIGHT		WTf	445	g
TOTAL WEIGHT		WTf	511	g

* 10 sec @ 25C ambient, 150C coil temp.
 ** 25C ambient, 150C coil temp.
 *** In free air.
 **** Measured with 250×250×10mm heat sink.
 ***** Measured with BK PRECISION 875B

REV	ECO NO.	DESCRIPTION	DRN	APP'D	Q.A	DATE
X1	---	INITIAL RELEASE	WYG	MYM	WYG	07-03-14
X2	100058	UPDATE DATA SHEET TO REFLECT TEST RESULT	WYG	MYM	WYG	07-03-16



LEAD WIRE: RED
500 LONG MIN
LEAD WIRE: BLACK
500 LONG MIN



2.INSULATION RESISANCE:100 MEGOHMS MINIMUM AT 500 VDC.
 ⚠️ A POSITIVE(+)VOLTAGE APPLIED TO THE RED WIRE WILL PRODUCE A TORQUE ON THE COIL ASSEMBLY IN CLOCKWISE (CW) DIRECTION.
 NOTES:UNLESS OTHERWISE SPECIFIED

PROPRIETARY AND CONFIDENTIAL
 THE INFORMATION CONTAINED IN THIS DRAWING IS THE SOLE PROPERTY OF USAS MOTION - SUZHOU, CHINA. ANY REPRODUCTION IN PART OR AS A WHOLE WITHOUT THE WRITTEN PERMISSION OF USAS MOTION - SUZHOU, CHINA IS PROHIBITED.

UNLESS OTHERWISE SPECIFIED:	NAME	DATE
DIMENSIONS ARE IN MM	WYG	07-03-14
TOLERANCES:		
ANGULAR: MACH±0° 30'		
ONE PLACE DECIMAL ±0.25	MYM	07-03-14
TWO PLACE DECIMAL ±0.1		
INTERPRET GEOMETRIC TOLERANCING PER:	WYG	07-03-16
ANSI Y14.5M-1982		
DO NOT SCALE DRAWING		

DRAWN	WYG	07-03-14
CHECKED		
ENG APPR.	MYM	07-03-14
MFG APPR.		
Q.A.	WYG	07-03-16
COMMENTS:		

usas motion Suzhou, China

TITLE: **ROTARY ACTUATOR**

SIZE	DWG. NO.	REV
B	VRS0077-020-00A	X2

SCALE: 1: 1.5 SHEET 1 OF 1